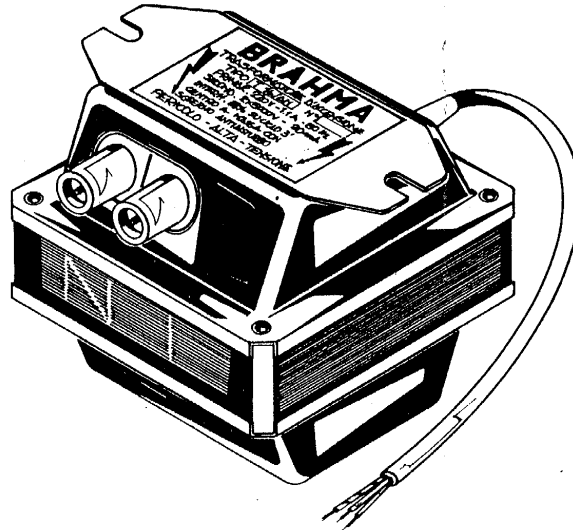




IGNITION TRANSFORMER FOR BURNERS

T 16...



GENERAL DESCRIPTION

The T 16... series transformers are approved by the VDE Offenbach (Germany) testing office (dossier Nr. 14323 on 28th/3/79).

They are all manufactured for only one output voltage (2x5000 V), but they are available with different fitting solutions with or without base plate. Each fitting characteristic is specified by adding an alphabetic letter to the T 16... mark. Some different examples are shown on the drawings below; in your orders, state the letter designated for your requirement alphabetic. Other solutions can be supplied upon request and according to customer design.

The H.T. windings are insulated by casting into epoxy resins. This manufacturing method provides the transformer with a high reliability level.

When the temperature is raised, both electric and magnetic circuits can expand independently from each other. This doesn't occur when both circuits are cast together: in this case, the resin is submitted to stresses due to different expansions of each circuit.

Casting single coils maintains a constant thickness of the insulating layer on the coil; which if cast in one piece, some thickness differences will occur, which generate stresses. In this case, when the resin is aging, its elasticity decreases and the breaking possibility increases; the resin aging is dependent upon how many times the transformer operates.

Casting single coils also allows checking before assembling, and the repair of defects when necessary; in case of other manufacturing methods, any little defects is irreversible therefore damaging the whole transformer. The higher production cost of single coils is thus compensated by a higher quality level.

Two stove-enamelled covers protect the coils and are fitted directly on to the magnetic circuit.

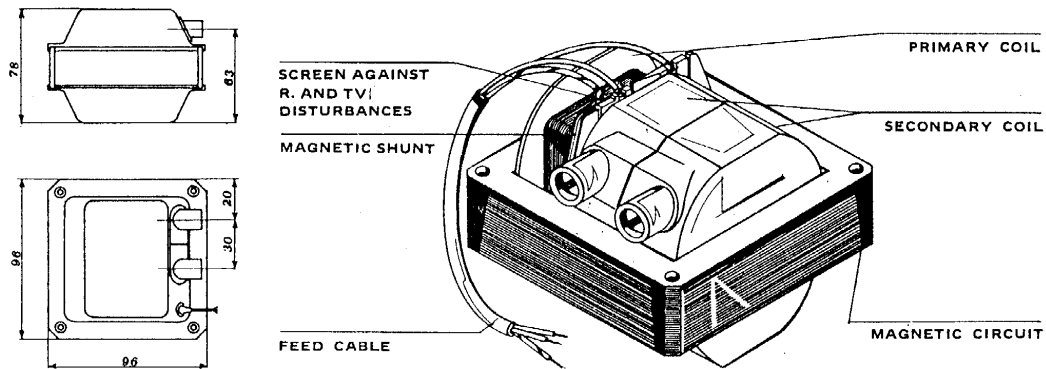
The T 16... transformer is a shell-type. The secondary windings are centre-earthed. The insulators are manufactured when casting the coils.

The transformer is screened for preventing radio and television disturbances, but for the best results, this screen has to be well earthed.

APPLICATION

The T 16... series transformers are suitable for burner with or without a cover and firing any kind of fuel for which the burner is designed.

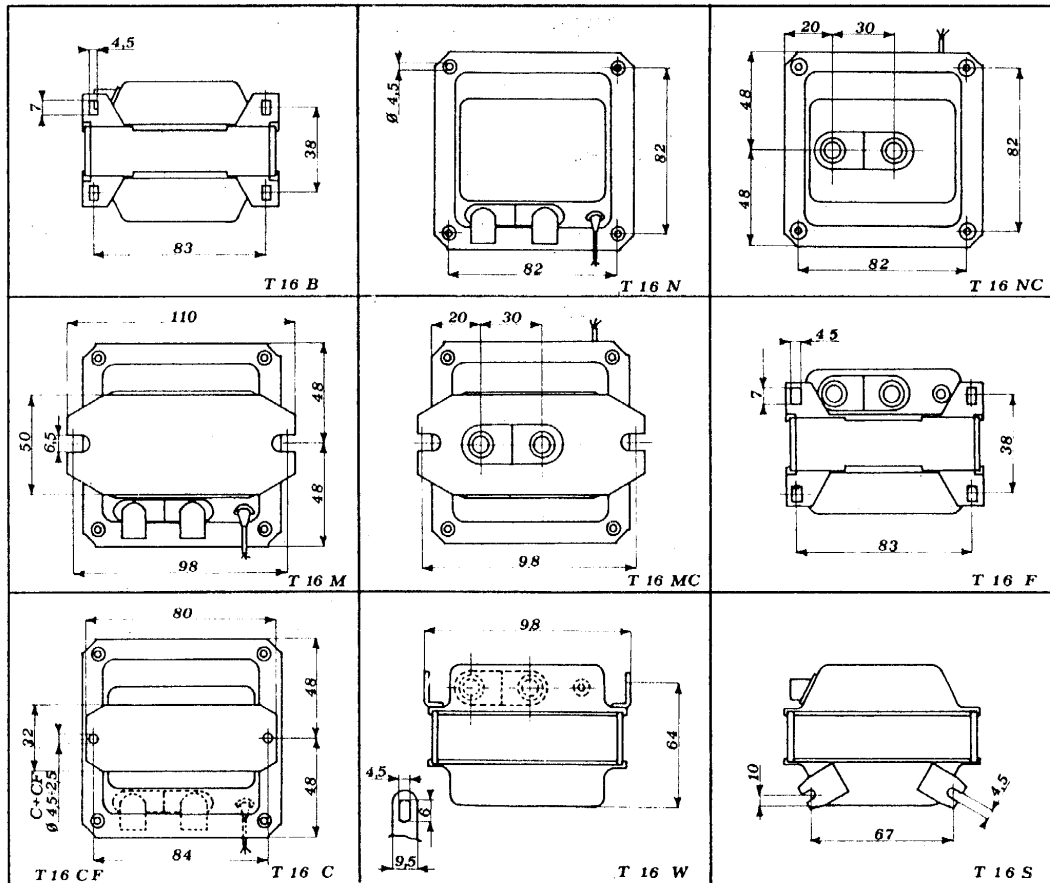
May we remind you that the distance between the electrode points must be such as ensure ignition occurs with the minimum input voltage value.



OVERALL DIMENSIONS

TECHNICAL FEATURES

- Primary voltage	220 V	- Intermittence on 3 min.	33 %
- Frequency	50 Hz other voltages and frequencies upon request	- Weight	2 kg
- Secondary voltage	2x5000 V	- 10 pieces box packing weight	0.600 kg
- Primary current	1.1 A	- Feed cable	55 cm
- Secondary current	20 mA	- Casing	metallic covers
- Power consumption	240 VA	- Insulator	epoxy-resin
		- H.T. terminals	4 mm dia. Rajah or self-threading



With the reserve to introduce technical modifications